

Please read this manual carefully before installation and keep it for future reference.

Owner & Installation Manual



MRCOOL®

COMFORT MADE SIMPLE

Water Dispenser

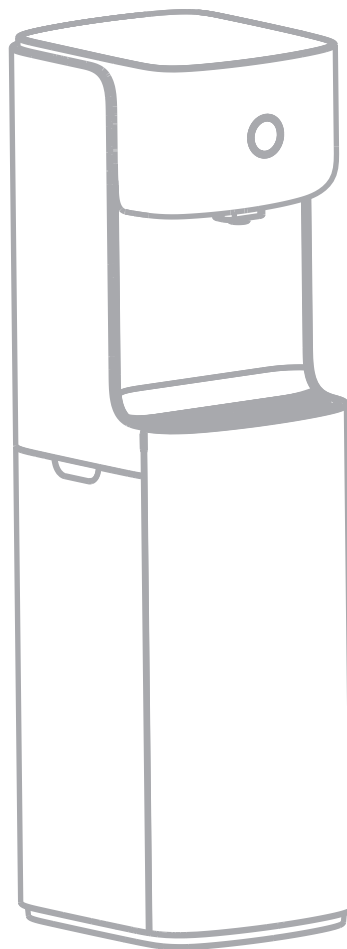
Models: MTW04RO | MTW04UF

Please read this manual carefully before installation and keep it for future reference.

V04.10.2020

Contents

1	Product Summary	2
2	General Information.....	3
3	How to Install.....	5
4	How to Use.....	7
5	Troubleshooting.....	11
6	Light Indicator.....	12



To Our Customers

Thank you for choosing the MRCOOL® Water Dispenser. In order to use and maintain this product correctly, please read the manual carefully before using the product. Store the manual for future reference.

- (1) This is a vertical water dispenser, please place it on the ground firmly to avoid falling.
- (2) Operation conditions: Water source: municipal tap water, Feed water pressure: 0.1 MPa ~ 0.4MPa, Feed water temperature: 41°F-100°F (5-38°C), Altitude: < 4921ft (1500 meter)
- (3) Check the product periodically for any connection leaks or any loose wires. If the product fails, shut off the water main and power supply immediately, and contact your dealer.
- (4) If this product won't be used for a long time, shut off the water supply and power off. If it hasn't been used for more than 3 days, drain off all the remaining water in the tanks and flush the system for more than 5 minutes before putting it into use again.
- (5) **DO NOT** allow children to operate the unit to avoid injury. It is designed for indoor use only. **DO NOT** use it in an explosive environment.
- (6) Every machine must pass a water leakage test before packing.
- (7) Installation and maintenance should be performed by a professional. Improper installation may cause water leakage, electrical shock, or may void the warranty.

Packing List

Main Body	1 Set
Accessory Kit	1 Bag
Instruction Manual	1 Piece
Tube	3 Rolls
PP Spun Filter	1 Piece
Block Carbon Filter	1 Piece
RO Membrane/UF Membrane	1 Piece
Post Carbon Filter	1 Piece
Power Adapter	1 Piece
Self Piercing Valve	1 Piece
Drain Clamp	1 Piece

Technical Parameters

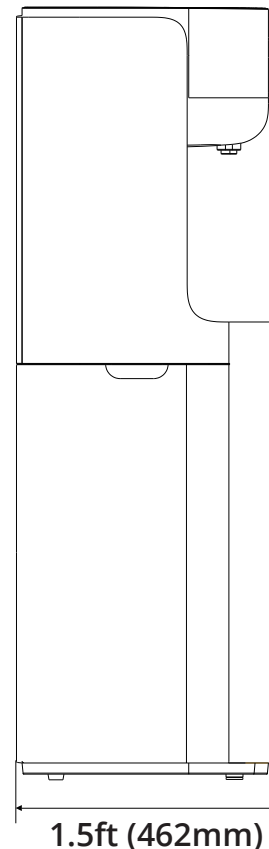
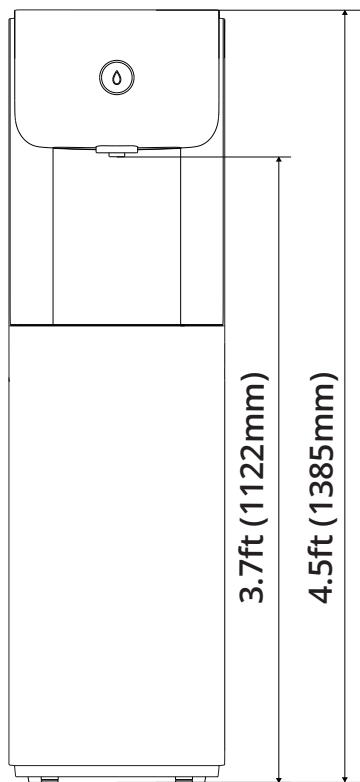
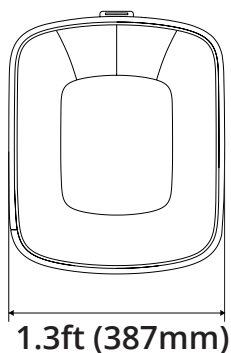
Model Number	MTW04RO / MTW04UF
Feed Water	Municipal tap water
Voltage and Frequency	110/220V, 50/60HZ
Rated Power	665W
Heating Power	500W
Cooling Power	150W
Water Production Power	15W
Inlet Water Pressure	14.5 to 58 PSI (0.1MPa ~ 0.4MPa)
Inlet Water Temperature	41-100°F (5-38°C)
Purified Water Flow	0.4L/min(RO) / 2L/min (UF)
Dimensions	W - 1.3Ft (387mm) * D - 1.5Ft (462mm) * H - 4.5ft (1385mm)

Recommended Locations

- Offices
- Clubs
- Hotels
- Airports
- Train Stations
- Factories
- Many more

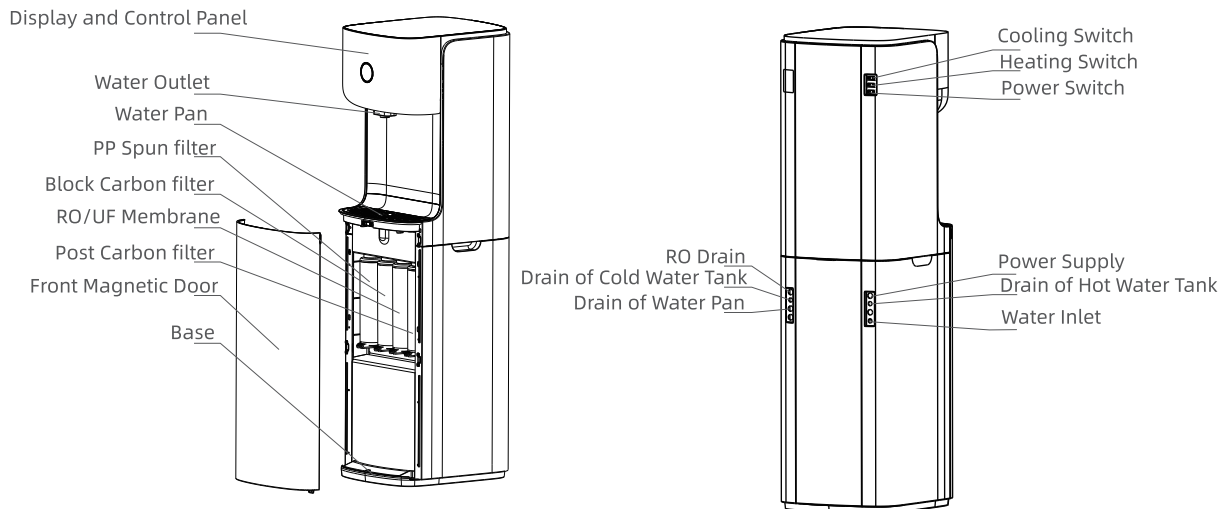
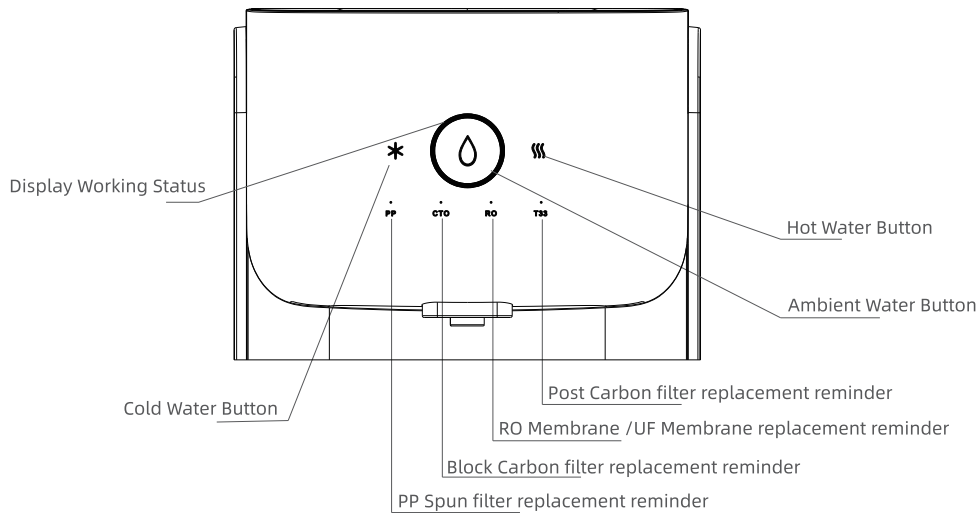
Function

- Dispense hot water
- Dispense cold water
- Dispense ambient water



Filters and Their Functions

Filter Cartridges		Function
1st Stage	PP Spun Filter	Removes large suspended particles in water
2nd Stage	Block Carbon Filter	Further removes organics, chlorine, odor, color and turbidity
3rd Stage (Model MTW04RO only)	RO Membrane	Removes bacteria, heavy metals, dissolved matters and salinity
	UF Membrane	Removes suspended particles, turbidity, bacteria and other harmful substances.
4th Stage	Post Carbon Filter	Adjusts the taste of purified water
5th Stage	LED UV	Treats bacteria
Temperature Option		Ambient/Hot/Cold



Installation Procedures

(1) Tools Required:

- Phillips (cross-tip) screw driver
- Adjustable wrench
- Scissors

(2) **Review the Packing List** to ensure all items are included in the packaging.

(3) Installation Position Required:

- Close to 220V /110V socket
- Close to tap water source
- Close to drain outlet, please note that the position of drain pipes should be at least 20cm lower than water pan.

(4) Install Inlet Ball Valve (4A) or Self-piercing Valve (4B) You can choose 4A or 4B based on your preference.

A. Install the Inlet Ball Valve and Tee Fitting according to the **Fig 3.1**

- Wrap threads of Feed Water Valve and Tee Fitting with Teflon tape.
- Connect White Feed Water tube from unit to Feed Water Valve.
- Install the Feed water valve Tee fitting, and then connect to source water.

B. Turn off the water supply and make sure the pipe is clean where the valve will be attached according to **Fig 3.2**.

- Mount the valve by placing the rubber washer or gasket in alignment with the saddle valve opening directly with the needle on the valve. Fit the brackets around the water supply pipe and hold them in place. Insert the bolts through the holes in the bracket and hand tighten. Use a screwdriver to tighten the bolts evenly on both sides of the pipe, however, do not overtighten.
- Install the water supply tube
- Pierce the pipe by turning the saddle valve clockwise slowly. Keep turning the handle until it stops.

(5) Install tubing:

- Cut tubing to appropriate length and prepare 2 pieces ensuring ends are flat and can make a flush connection.
- Connect ball valve to water inlet port with one piece.
- Connect the drain to the waste water port with the other piece.
- Connect the silicon tube to the drain of the water pan or a bucket.

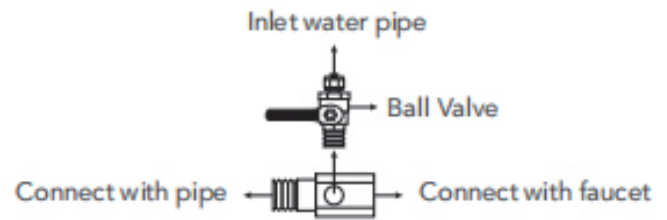


Fig 3.1

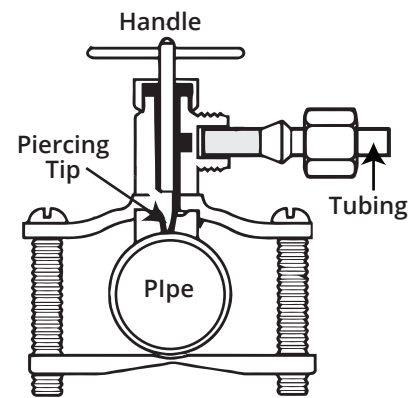


Fig 3.2

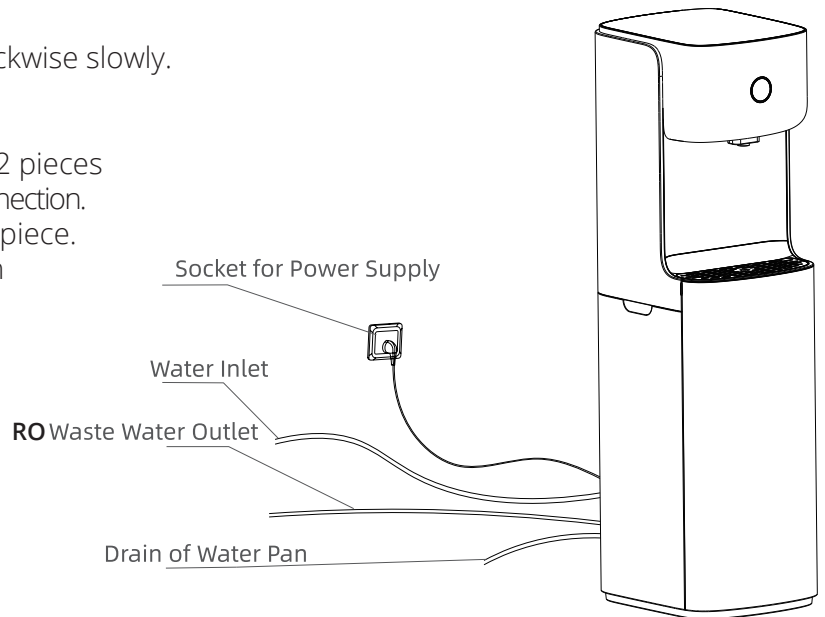


Fig 3.3

(6) Install Drain Clamp (For Model MTW04RO only)

- Position drain clamp on drain pipe above the drain trap and tighten securely.
- Using the drain clamp as a guide, drill a 6mm hole, enough for the 1/4" tubing to pass, through one side of the drain pipe. **DO NOT** drill through both sides.

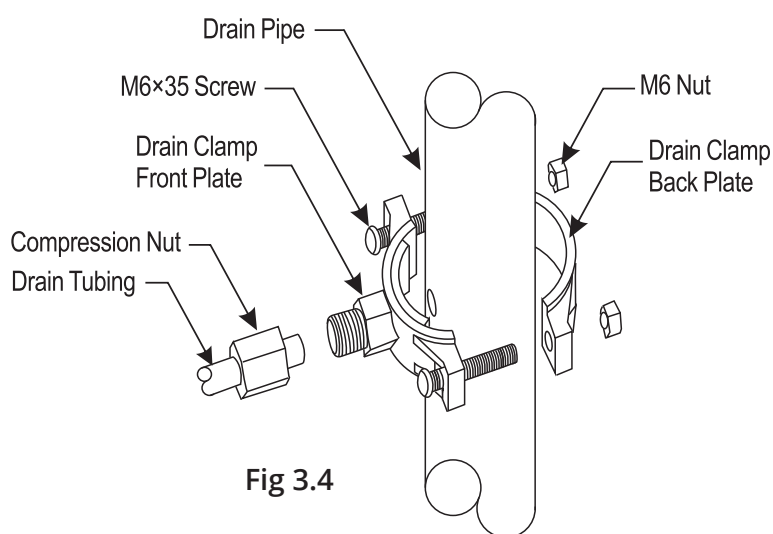
NOTE

When cutting the tubing make clean, square, cuts, failing to do so result in poor connection and possible leaks.

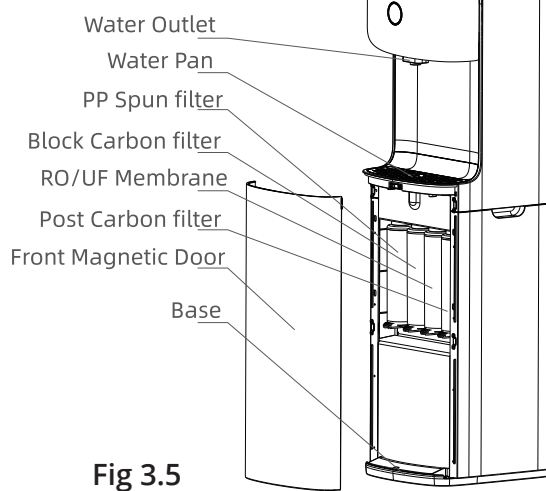
CAUTION

It is recommended to install the RO waste water drain clamp above the drain p-trap. There should be no sag in the line as this may cause excessive noise as the reject water is flowing to drain.

DRAIN CLAMP ASSEMBLY



Display and Control Panel







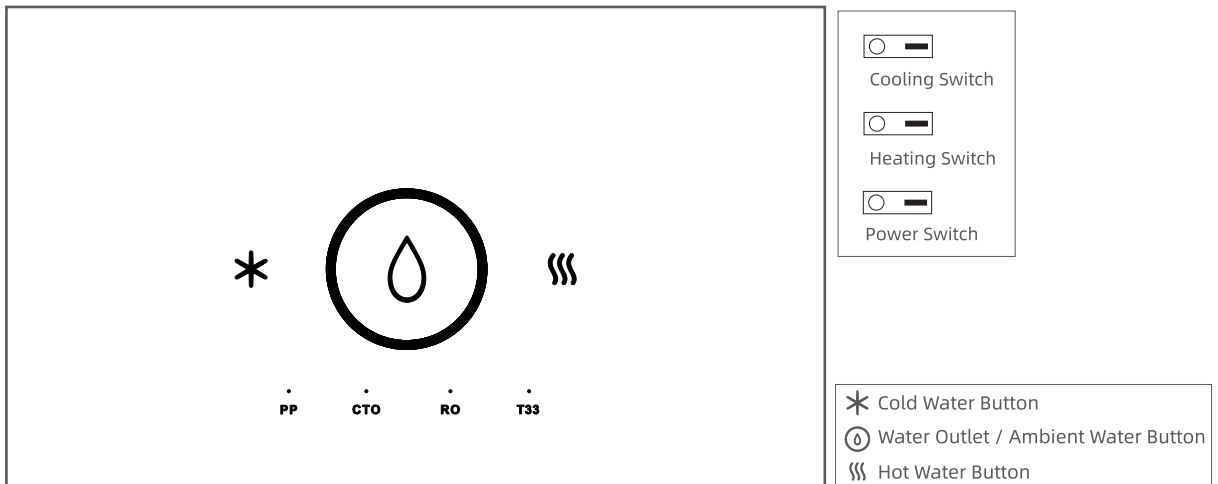
(7) **Install filter cartridges** to water purifier by taking off the front panel and follow the directions according to the labels indicated above. After filters are installed, cover the front panel.

(8) For First Use -




- Open Inlet Ball Valve, connect power supply and power on. The machine will start producing water. During this period, the switch for heating should be off.
- After the machine completes water production (White light around the big button in the middle), shut off the power supply. Connect the silicon tube to drain off hot water tank and the other end to a bucket to drain out all of the water in the tank.
- Power on again to prompt the machine to produce water and then drain the water out of the tank after water production is completed. Repeat this process 2 to 3 times to flush the machine. During this process, pay close attention to all connections to check for leaks.
- After flushing, remove the silicon tube and pack it up. Block the drain of hot water tank.

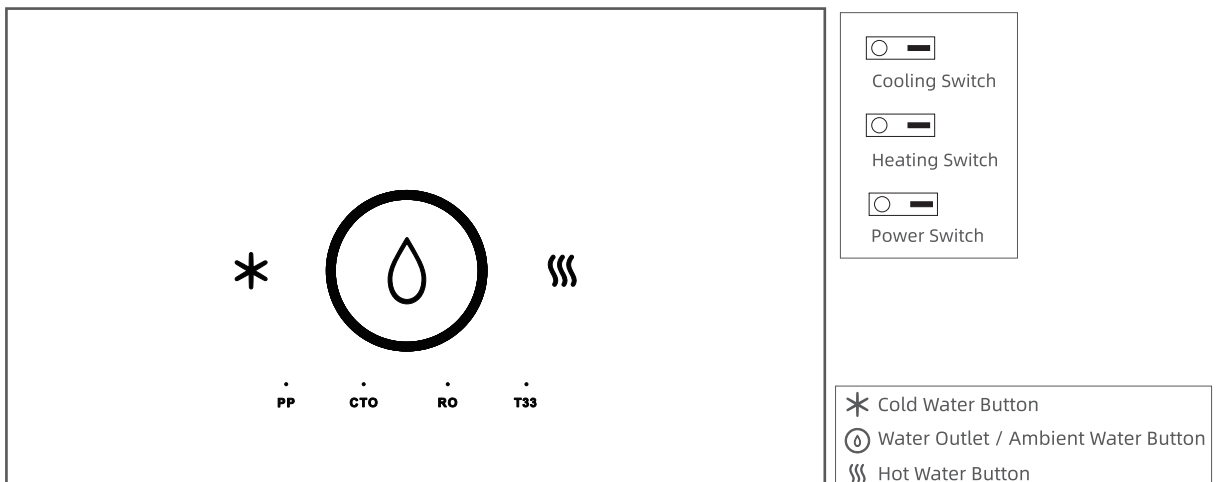
How To Get Hot Water

1. Flip the heating switch on (switch position will be from "O" to "-."), the machine will start heating.
2. Press the hot water button  on the control panel. After a short "Ding" sound, the hot water status is released and will last for 3 seconds.
3. Press the "water Outlet/ Ambient Water button"  within 3 seconds and you will get hot water (a red circling light will appear around the "water outlet" button .
4. Press the "water Outlet/Ambient Water button  again to end the hot water output. The machine will conduct a 30-second hot water output if not ended manually.



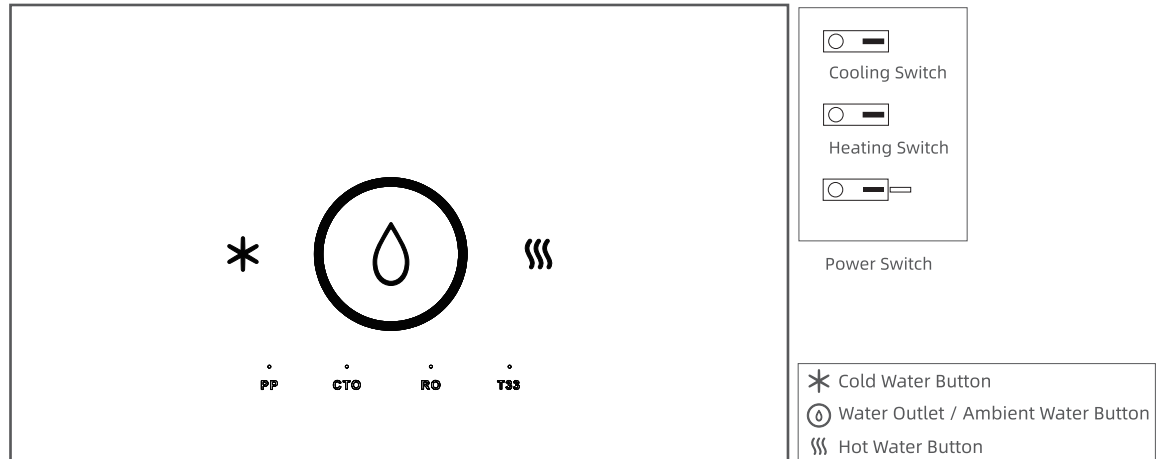
How To Get Ambient Water

1. Press the Water Outlet / Ambient Water Button  on the control panel, and you will get ambient water (a green light will circle around the "water outlet" button .
2. Press the "water Outlet/ Ambient Water button"  again to end the ambient water output. The machine will conduct a 30-second ambient water output if not ended manually.



How To Get Cold Water

1. Press the Cooling switch on (switch position will be from "O" to "-"), the machine will start cooling.
2. Press the cold water button * on the control panel. A "Ding" sound will signal the cold water status is released and will last for 3 seconds.
3. Press the "water Outlet/ Ambient Water button"Ⓞ within 3 seconds and you will get cold water (a blue light will circle around the "water outlet" button Ⓞ).
4. Press the "water Outlet/Ambient Water button"Ⓞ again to end the cold water output. The machine will conduct a 30-second cold water output if not ended manually.



How to Flush

- The machine will conduct a 90-second flush every time it's powered on.
- After the water production time reaches one hour, the machine will conduct a 10 second flush process.

Memory

Even when the machine is powered off, it will still record all data automatically, such as service life of filter, remaining life of LED UV sterilizer, mode of the machine, etc.

LED UV Sterilizer

Brand new machine:

After the first complete water production cycle, the LED UV will work for 150 minutes. ***DO NOT*** interrupt this process.

During daily use:

If there is no water production, the LED UV will conduct a 30-second sterilizer every hour. The LED UV will conduct a 50-minute sterilizer each time the machine completes water production.

Power Saving Mode

If there is no manual operation within 30 minutes, the machine will enter the Power Saving Mode. This mode only reduces the brightness of the light, it does not affect any other machine functions.

Service Life of Filter Cartridges and Filter Change Reminder

NOTE

The service life in the follow tables is calculated when the machine is in the process of pure water production.

RO System

Light indicator for PP sediment (1st stage)	Total service life: 270 Hours	
	Remaining life span > 45Hours	Light off
	Remaining life span ≤ 45Hours	Flashing
	Filter life ends	Red light on
Light indicator for block carbon filter (2nd stage)	Total service life: 270 Hours	
	Remaining life span > 45Hours	Light off
	Remaining life span ≤ 45Hours	Flashing
	Filter life ends	Red light on
Light indicator for RO membrane (3rd stage)	Total service life: 540 Hours	
	Remaining life span > 90Hours	Light off
	Remaining life span ≤ 90Hours	Flashing
	Filter life ends	Red light on
Light indicator for T33 post carbon (4th stage)	Total service life: 270 Hours	
	Remaining life span > 45Hours	Light off
	Remaining life span ≤ 45Hours	Flashing
	Filter life ends	Red light on

UF System

Light indicator for PP sediment (1st stage)	Total service life: 90 Days	
	Remaining life span > 15Days	Light off
	Remaining life span ≤ 15 Days	Flashing
	Filter life ends	Red light on
Light indicator for block carbon filter (2nd stage)	Total service life: 180 Days	
	Remaining life span > 30 Days	Light off
	Remaining life span ≤ 30 Days	Flashing
	Filter life ends	Red light on
Light indicator for UF membrane (3rd stage)	Total service life: 180 Days	
	Remaining life span > 30 Days	Light off
	Remaining life span ≤ 30 Days	Flashing
	Filter life ends	Red light on
Light indicator for T33 post carbon (4th stage)	Total service life: 180 Days	
	Remaining life span > 30 Days	Light off
	Remaining life span ≤ 30 Days	Flashing
	Filter life ends	Red light on

Filter Life Reset

Press the corresponding light indicator and hold for 3 seconds or more. Three chimes will sound notifying the filter life reset is completed.

Problem	Cause	Correction
All light indicators off	1.Power Supply Cord is not connected to power	1.Connect Power Supply Cord to socket
	2.Power Switch is off	2.Turn on Power Switch
	3.Circuit failure	3.Make sure that all wires are good and connected well
	4.Defective adapter	4.Contact your local dealer for a new adapter
Pink flashing light around "Water Outlet" button	1.Water inlet is off	1.Make sure all inlet valves are on
	2.Low feed water pressure	2.Increase feed water pressure
	3.Defective low pressure switch	3.Contact your local dealer for a new low pressure switch
	4.Defective electric control board	4.Contact your local dealer for a new electric control board
The machine is in water production mode but no water output	1.Filter cartridge blocked or not installed correctly	1.Replace the filters or install them correctly
	2.Defective input solenoid valve	2.Contact your local dealer for a new solenoid valve
	3.Floated switch damaged or blocked	3.Contact your local dealer for a new float switch or adjust its position
Machines does not heat	1.The machine started heating when hot water tank is empty, thus it shuts o ffthe heating function for protection.	1.Reset the temperature switch
	2.Circuit failure	2.Check and repair circuit
	3.Defective Hot water tank	3.Contact your local dealer for a new hot water tank
	4.Defective electric control board	4.Contact your local dealer for a new electric controller

Light Color	Light State	Machine Status	Remarks
Green	Circling	Ambient Water Output	In the process of Ambient Water Output
Red	Circling	Hot Water Output	In the process of Hot Water Output
Blue	Circling	Cold Water Output	In the process of Cold Water Output
Red	On without circling	Defective LED UV	LED UV damaged or not connected properly
White	On without circling	In Standby Mode	Normal
Red	Circling	In Heating Process	In Heating Process
Pink	Flashing	Water Lack	No feed water
Red	Flashing	Low feed water pressure water production process is interrupted	Low pressure switch disconnected
Yellow	Flashing	High feed water pressure, water production process is interrupted	High pressure switch disconnected



MRCOOL®

COMFORT MADE SIMPLE

Water Dispenser

Models: MTW04RO | MTW04UF

The design and specifications of this product and/or manual are subject to change without prior notice. Consult with the sales agency or manufacturer for details.